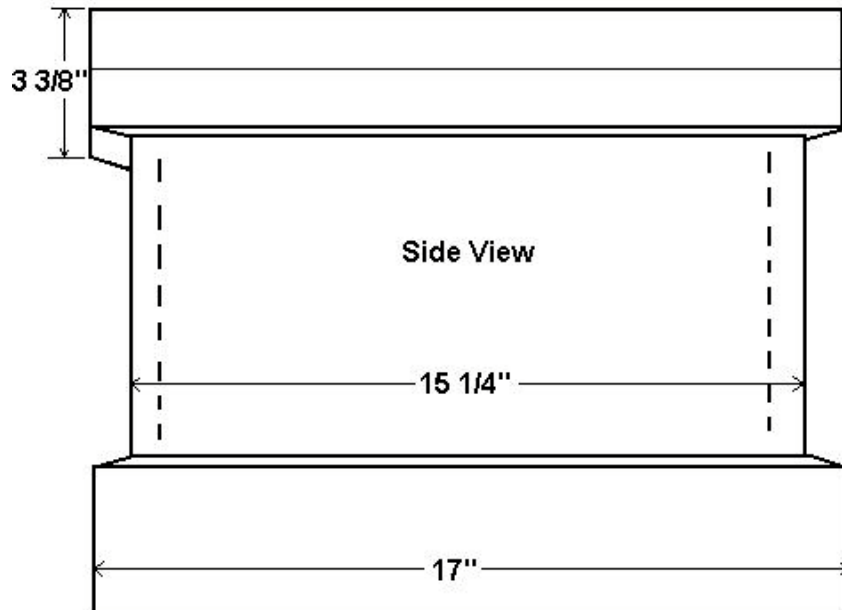
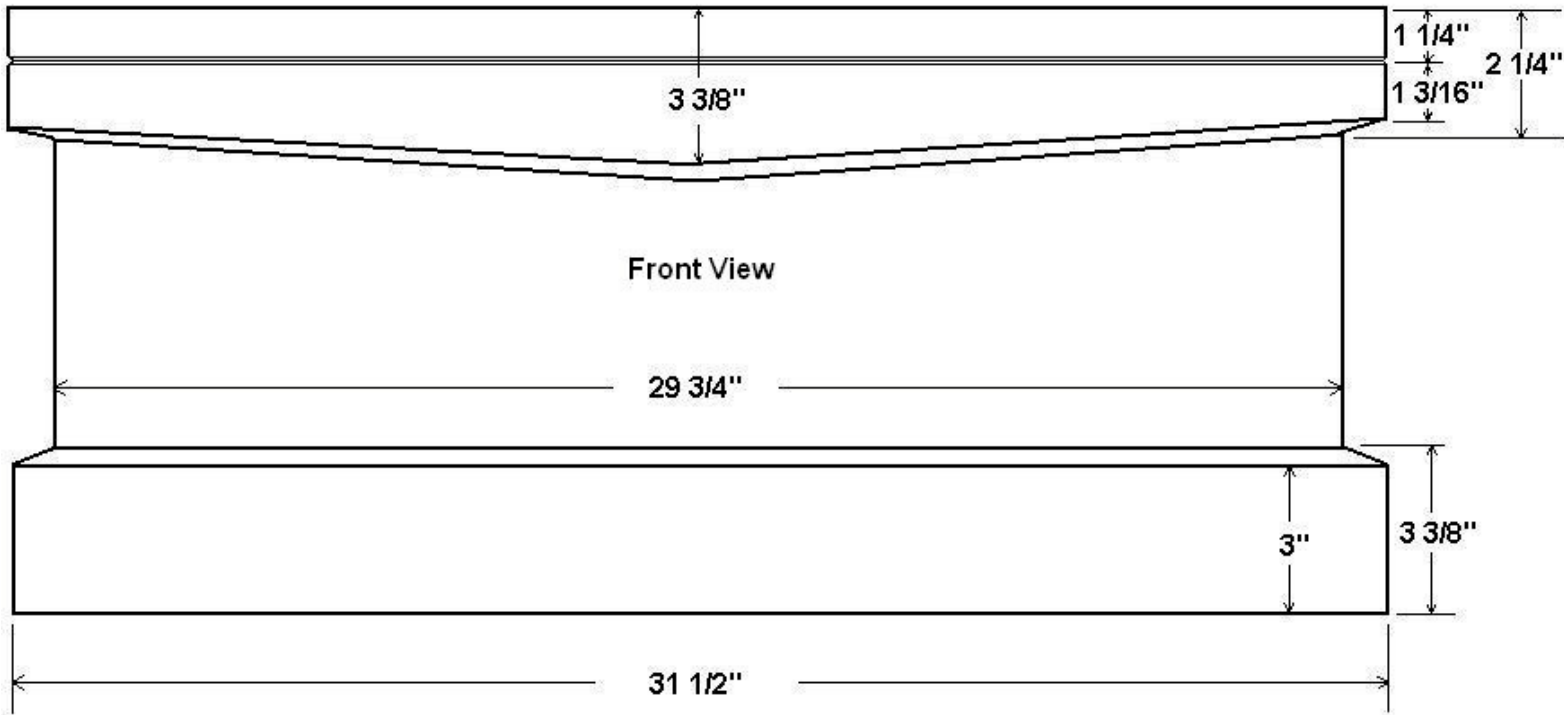


Fort Union Footlocker



Fort Union Footlocker (Details)

Interior:

Ends butt-joined inside sides

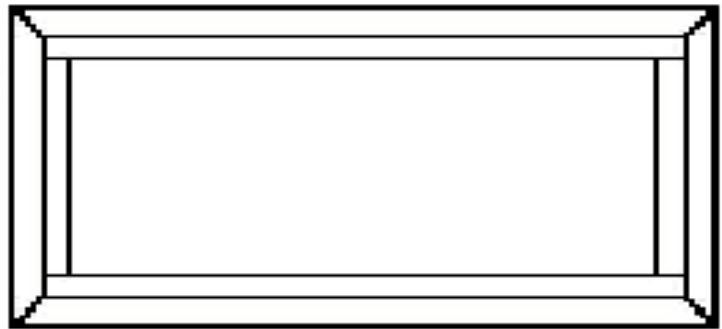
Interior dimensions:

12 ½" deep

28 ¼" long

13 7/8" wide

Molding 45 deg corners.

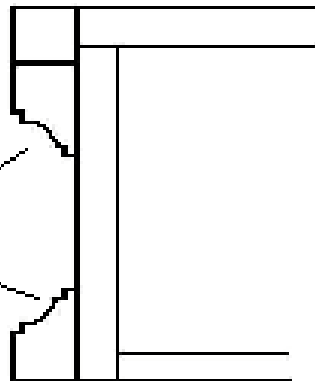


Molding:

7/8" thick

Note molding style

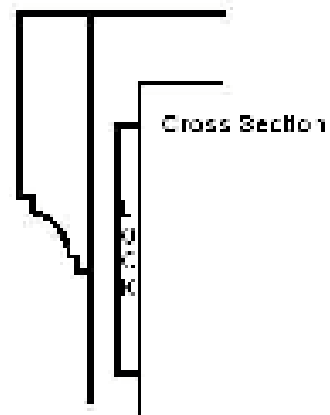
7/8"



Chest Lock:

In center, sunk into sides and lid.

Simple hole in front, no escutcheon.



Molding nailed at corners, with ½" wooden dowels along sides and ends.

Material:

¾" pine, sides one piece, ends one piece, top three pieces.

Two 2 ½" butt hinges on lid sunk into molding.

"John Kotwell" stamped inside rear.

Color – base light blue, finish layer charcoal grey